

Italkero

DESIGN COLLECTION

01 Venezia

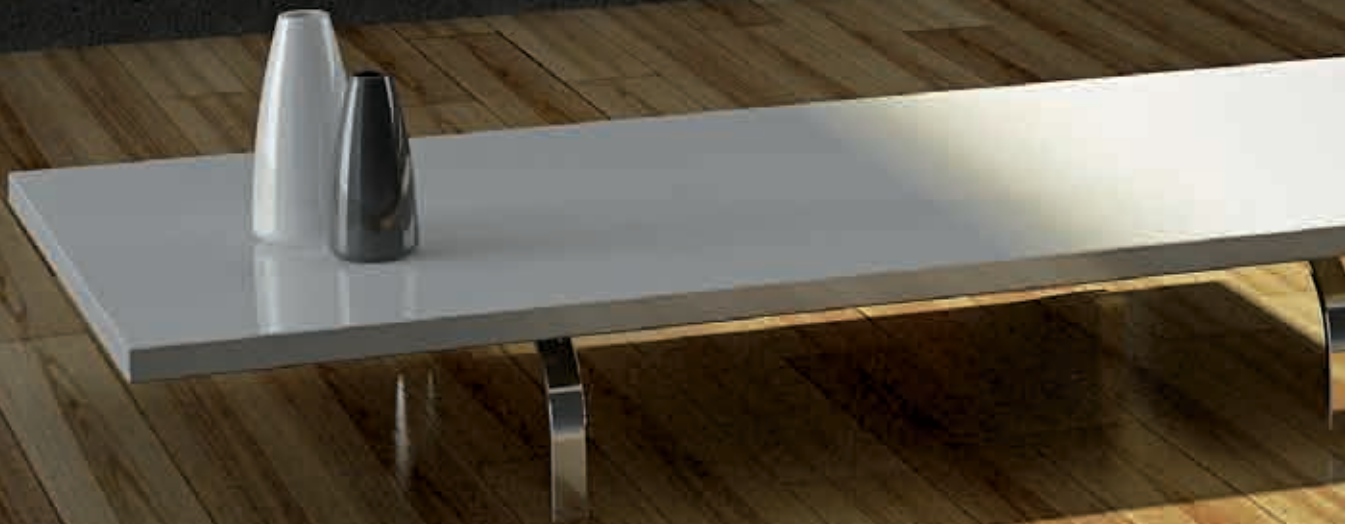
BALANCED FLUE FIREPLACE 90 - 130

Balanced flue Fireplace insert running by Lpg or Natural Gas.

Visible flame length of 90 - 130 cm.

One and double sided versions.

Electricity is not required.



features



log set



river pebbles

Model	Venezia 90	Venezia 130	Remote control
Code	IN09A3 M0000	IN13A3 M0000	including
Code 2 sided	IN09A2 M0000	IN13A2 M0000	including
Dimension W x H x D (mm)	940x730x350	1480x730x350	
Heat input max/min (kW)	6,3 / 2,5	10 / 4	
Consumption max Methane (m ³ /h) / LPG (kg/h)	0,670 / 0,500	1,060 / 0,790	
Efficiency (%)	79	74,7	

NOTE: Co-axial flue line up to 11 mts. internal flue diam. 100 mm and ext. 150 mm.

- **Easy and quick** installation thanks to its adjustable supports.
- **Natural** and radiant convection heating.
- Convection casing option.
- **Ecological:** NOx class 5 and Efficiency class 2.
- **Customizing with** selected materials: frames built in or in relief. indoor parts with black lamellas or Inox.
- fireproof ceramic glass.
- Remote control including.
- One or two sided insert.



02 Roma

BALANCED FLUE FIREPLACE 50

Balanced flue Fireplace insert running by Lpg or Natural Gas.

Visible flame 50 x 150 cm height.

One and double sided versions.

Burner decoration with wood logs or river pebbles.

Electricity is not required.



features



log set



river pebbles

Model	Roma 50	Remote control
Code	IN05A3 M0000	including
Code 2 sided	IN05A2 M0000	including
Dimension W x H x D (mm)	510x1490x350	
Heat input max/min (kW)	8,3 / 3,3	
Consumption max Methane (m ³ /h) / LPG (kg/h)	0,880 / 0,650	
Efficiency (%)	75,8	

NOTE: Co-axial flue line up to 11 mts. internal flue diam. 100 mm and ext. 150 mm.

- **Easy and quick** installation thanks to its adjustable supports.
- **Natural** and radiant convection heating.
- Convection casing option.
- **Ecological:** NOx class 5 and Efficiency class 2.
- **Customizing with** selected materials: frames built in or in relief. indoor parts with black lamellas or Inox.
- Fireproof ceramic glass.
- Remote control including.
- One or two sided insert.

03 Portofino

BALANCED FLUE FIREPLACE 50

Balanced flue Fireplace insert running by Lpg or Natural Gas.

Visible flame 50 x 150 cm height.

One and double sided versions.

Burner decoration with wood logs or river pebbles.

Electricity is not required.



features



log set



river pebbles

Model	Portofino 50q	Remote control
Code	IN04A3 M0000	including
Code 2 sided	IN04A2 M0000	including
Dimension W x H x D (mm)	510x510x350	
Heat input max/min (kW)	3,9 / 1,7	
Consumption max Methane (m ³ /h) / LPG (kg/h)	0,420 / 0,310	
Efficiency (%)	75	

NOTE: Co-axial flue line up to 11 mts. internal flue diam. 100 mm and ext. 150 mm.

- **Easy and quick** installation thanks to its adjustable supports.
- **Natural** and radiant convection heating.
- Convection casing option.
- **Ecological:** NOx class 5 and Efficiency class 2.
- **Customizing with** selected materials: frames built in or in relief. indoor parts with black lamellas or Inox.
- Fireproof ceramic glass.
- Remote control including.
- One or two sided insert.

04 Firenze

BALANCED FLUE FIREPLACE 70

Balanced flue Fireplace insert running by Lpg or Natural Gas.

Visible flame length of 70 cm.

One and double sided versions.

The replacement of an existing fireplace is possible thanks to its traditional shape and size.

Electricity is not required.



features



log set



river pebbles

Model	Firenze 70t	Firenze 70	Remote control
Code	IN07A1 M0000	IN07A3 M1000	including
Code 2 sided		IN07A2 M0000	including
Dimension W x H x D (mm)	770x730x380	770x730x350	
Heat input max/min (kW)	7,0 / 3,0	7,0 / 3,0	
Consumption max Methane (m ³ /h) / LPG (kg/h)	0,740 / 0,552	0,740 / 0,552	
Efficiency (%)	80	80	

NOTE: Co-axial flue line up to 11 mts. internal flue diam. 100 mm and ext. 150 mm.

- **Easy and quick** installation thanks to its adjustable supports.
- **Natural** and radiant convection heating.
- Convection casing option.
- **Ecological:** NOx class 5 and Efficiency class 2.
- **Customizing with** selected materials: frames built in or in relief.
- indoor parts with black lamellas or Inox.
- Fireproof ceramic glass.
- Remote control including.
- One or two sided insert.

05 Torino

POWER FLUE FIREPLACE 70

Gas fired fireplace insert running by Lpg or Natural Gas, with forced draft TYPE C.
Efficiency Class: 1.

The Italkero powerflue system allow you to install your heater almost anywhere in the home or multi residential buildings without the need for a vertical flue. Flueing options include through wall, under floor and through ceiling.



features



log set



river pebbles



- **Easy and quick** installation thanks to its special frame.
- **Heating:** natural, radiant and fan assisted.
- Convection casing option.
- **Ecological:** NOx class 5 and Efficiency class 1, the best values.
- **Customizing with** selected materials: indoor parts with black lamellas or Inox.
- Fireproof ceramic glass.
- Wireless remote control including.
- One or two sided insert.
- **No limits** for the installation.

Model	Torino 70	Wireless
Code	IF07A3 M0000	including
Code 2 sided	IF07A2 M0000	including
Insert dimension W x H x D (mm)	807x1221x418	
Casing dimension W x H x D (mm)	1047x1240x450	
Heat input max/min (kW)	7 / 3	
Consumption max Methane (m ³ /h) / LPG (kg/h)	0,740 / 0,550	
Efficiency (%)	88,6	

NOTE: Flue line up to 10 mts. flue diam. 54mm, free position



06 Milano

POWER FLUE FIREPLACE 70 - 80 - 130

Gas fired fireplace insert running by Lpg or Natural Gas, with forced draft TYPE C.
Visible flame length of 70, 80 and 130cm.
One and double sided versions.
Unique designed heater with enjoyable double sided flame view.

The Italkero powerflue system allow you to install your heater almost anywhere in the home or multi residential buildings without the need for a vertical flue. Fluing options include through wall, under floor and through ceiling.



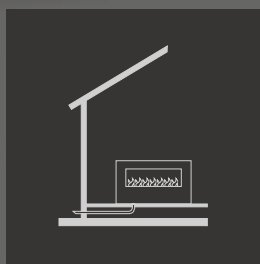
features



log set



river pebbles



Model	Milano 80	Milano 130	Wireless
Code	IF08A3 M0000	IF13A3 M0000	including
Code 2 sided	IF08A2 M0000	IF13A2 M0000	including
Insert dimension W x H x D (mm)	1249x800x341	1782x800x341	
Casing dimension W x H x D (mm)	1408x800x354	1941x800x354	
Heat input max/min (kW)	5,6 / 4,3	9 / 7	
Consumption max Methane (m ³ /h) / LPG (kg/h)	0,592 / 0,435	0,952 / 0,689	
Efficiency (%)	89,2	90	

NOTE: Flue line up to 10 mts. flue diam. 54mm, free position

- **Easy and quick fitting** since is not required any brickwork, because of its bearing structure and the charming casing covering.
- **Heating:** natural, radiant and fan assisted.
- Convection casing option.
- **Ecological:** NOx class 5 and Efficiency class 1, the best values.
- **Customizing with** selected materials and indoor parts with black lamellas or INOX.
- Fireproof ceramic glass.
- Wireless remote control including.
- One or two sided insert.
- **No limits** for the installation.



insert 70t

BALANCED FLUED

- Steel monobloc, anthracite painted
- Fireproof ceramic glass
- Internal materials: anthracite, INOX steel
- Remote control set including
- Customizable with ceramic logs or river pebbles
- Natural and radiant convection heating
- Adjustable supports
- Fireplace insert TYPE C11
- Co-axial flue, internal diam. 100 mm and ext. 150 mm
- Flue line up to 11mts.
- Efficiency (%): 80
- Heat input (kW): 7,0
- Power (kW): 5,6

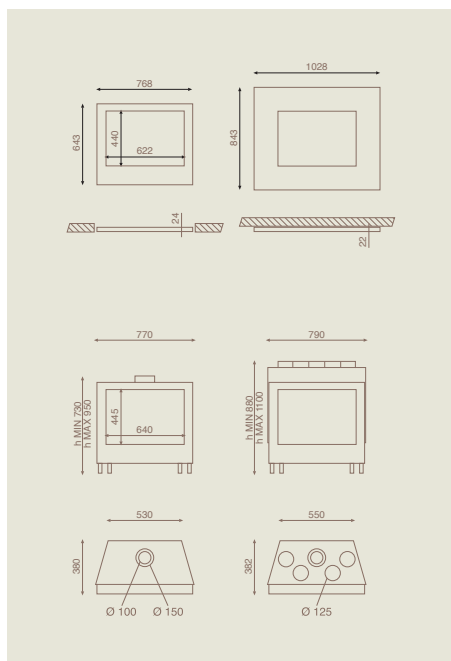
Gas Methane G20 / LPG

- NOx class: 5
- Efficiency class: 2
- Consumption max Methane G20 (m³/h): 0,740
- Consumption max LPG (kg/h): 0,552

ACCESSORIES Firenze

- Monobloc frame steel in relief, RAL7016 anthracite gray.
- Monobloc frame steel built in, RAL7016 anthracite gray.
- Monobloc frame glass built in, RAL7016 anthracite gray.
- Convection casing hot air flow

NOTE: For a complete list of all available accessories, refer to the Price List, Catalogue Technical or www.italkero.it



insert 70

BALANCED FLUED

- Fireproof ceramic glass
- Internal materials: anthracite, INOX steel
- Remote control set including
- Customizable with ceramic logs or river pebbles
- 2 sided version available
- Natural and radiant convection heating
- Adjustable supports
- Fireplace insert TYPE C11
- Co-axial flue, internal diam. 100 mm and ext. 150 mm
- Flue line up to 11mts.
- Efficiency (%): 75
- Heat input (kW): 7,0
- Power (kW): 5,25

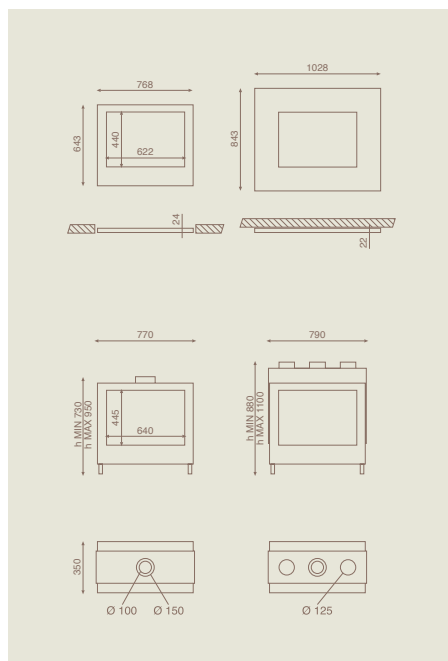
Gas Methane G20 / LPG

- NOx class: 5
- Efficiency class: 2
- Consumption max Methane G20 (m³/h): 0,740
- Consumption max LPG (kg/h): 0,552

ACCESSORIES Firenze

- Monobloc frame steel in relief, RAL7016 anthracite gray.
- Monobloc frame steel built in, RAL7016 anthracite gray.
- Monobloc frame glass built in, RAL7016 anthracite gray.
- Convection casing hot air flow

NOTE: For a complete list of all available accessories, refer to the Price List, Catalogue Technical or www.italkero.it



insert 90

BALANCED FLUED

- Fireproof ceramic glass
- Internal materials: anthracite, INOX steel
- Remote control set including
- Customizable with ceramic logs or river pebbles
- 2 sided version available
- Natural and radiant convection heating
- Adjustable supports
- Fireplace insert TYPE C11
- Co-axial flue, internal diam. 100 mm and ext. 150 mm
- Flue line up to 11mts.
- Efficiency (%): 79
- Heat input (kW): 6,3
- Power (kW): 4,98

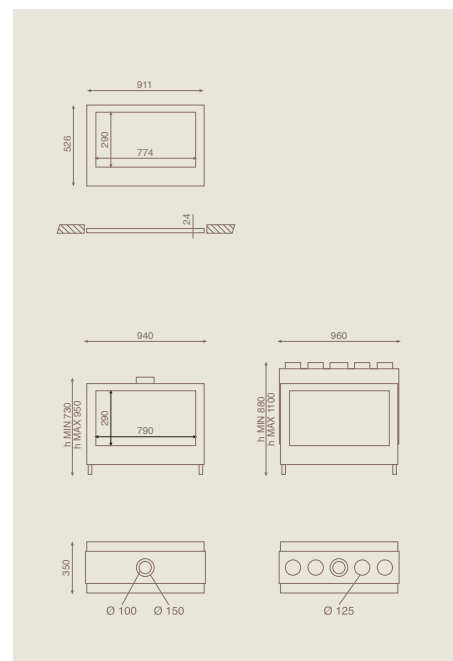
Gas Methane G20 / LPG

- NOx class: 5
- Efficiency class: 2
- Consumption max Methane G20 (m³/h): 0,670
- Consumption max LPG (kg/h): 0,500

ACCESSORIES Venezia

- Monobloc frame steel built in, RAL7016 anthracite gray.
- Monobloc frame glass built in, RAL7016 anthracite gray.
- Convection casing hot air flow

NOTE: For a complete list of all available accessories, refer to the Price List, Catalogue Technical or www.italkero.it



insert 130

BALANCED FLUED

- Fireproof ceramic glass
- Internal materials: anthracite, INOX steel
- Remote control set including
- Customizable with ceramic logs or river pebbles
- 2 sided version available
- Natural and radiant convection heating
- Adjustable supports
- Fireplace insert TYPE C11
- Co-axial flue, internal diam. 100 mm and ext. 150 mm
- Flue line up to 11mts.
- Efficiency (%): 74,7
- Heat input (kW): 10,0
- Power (kW): 7,47

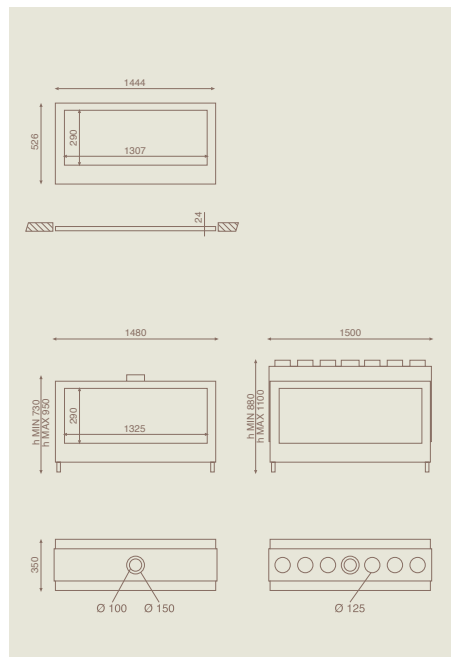
Gas Methane G20 / LPG

- NOx class: 5
- Efficiency class: 2
- Consumption max Methane G20 (m³/h): 1,060
- Consumption max LPG (kg/h): 0,790

ACCESSORIES Venezia

- Monobloc frame steel built in, RAL7016 anthracite gray.
- Monobloc frame glass built in, RAL7016 anthracite gray.
- Convection casing hot air flow

NOTE: For a complete list of all available accessories, refer to the Price List, Catalogue Technical or www.italkero.it



insert 50

BALANCED FLUED

- Fireproof ceramic glass
- Internal materials: anthracite, INOX steel
- Remote control set including
- Customizable with ceramic logs or river pebbles
- 2 sided version available
- Natural and radiant convection heating
- Adjustable supports
- Fireplace insert TYPE C11
- Co-axial flue, internal diam. 100 mm and ext. 150 mm
- Flue line up to 11mts.
- Efficiency (%): 75,8
- Heat input (kW): 8,30
- Power (kW): 6,29

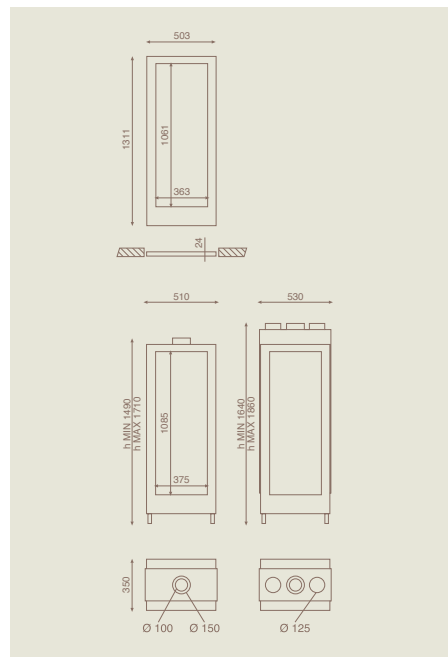
Gas Methane G20 / LPG

- NOx class: 5
- Efficiency class: 2
- Consumption max Methane G20 (m³/h): 0,880
- Consumption max LPG (kg/h): 0,650

ACCESSORIES Roma

- Monobloc frame steel built in, RAL7016 anthracite gray.
- Monobloc frame glass built in, RAL7016 anthracite gray.
- Convection casing hot air flow

NOTE: For a complete list of all available accessories, refer to the Price List, Catalogue Technical or www.italkero.it



insert 50q

BALANCED FLUED

- Fireproof ceramic glass
- Internal materials: anthracite, INOX steel
- Remote control set including
- Customizable with ceramic logs or river pebbles
- 2 sided version available
- Natural and radiant convection heating
- Adjustable supports
- Fireplace insert TYPE C11
- Co-axial flue, internal diam. 100 mm and ext. 150 mm
- Flue line up to 11mts.
- Efficiency (%): 75
- Heat input (kW): 3,95
- Power (kW): 2,96

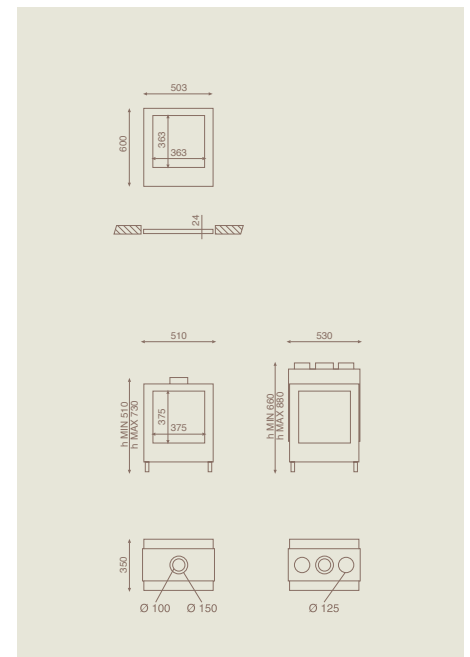
Gas Methane G20 / LPG

- NOx class: 5
- Efficiency class: 2
- Consumption max Methane G20 (m³/h): 0,420
- Consumption max LPG (kg/h): 0,310

ACCESSORIES Portofino

- Monobloc frame steel built in, RAL7016 anthracite gray.
- Monobloc frame glass built in, RAL7016 anthracite gray.
- Convection casing hot air flow

NOTE: For a complete list of all available accessories, refer to the Price List, Catalogue Technical or www.italkero.it



insert 70

POWER FLUED

- Fireproof ceramic glass
- Internal materials: anthracite, INOX steel
- Convection casing
- Wireless remote control set including
- Customizable with ceramic logs or river pebbles
- 2 sided version available
- Forced, Natural and radiant convection heating
- Fireplace insert TYPE C12
- Intake and exhaust pipes independent and separable with diameter 54mm
- Flue line up to 15mts.
- Efficiency (%): 86
- Heat input (kW): 7,0
- Power (kW): 6,02

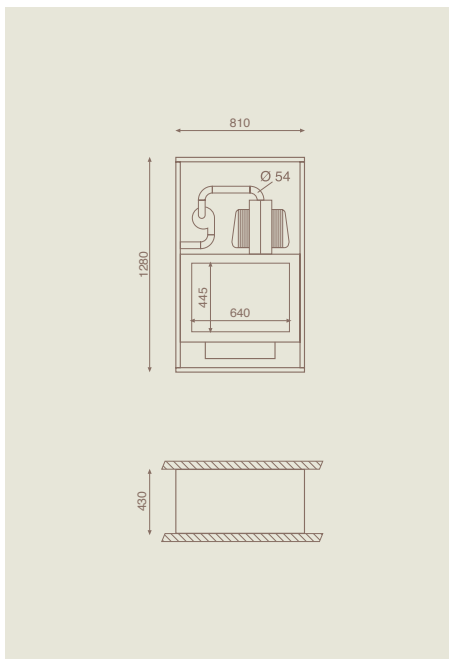
Gas Methane G20 / LPG

- NOx class: 5
- Efficiency class: 1
- Consumption max Methane G20 (m³/h): 0,740
- Consumption max LPG (kg/h): 0,550

ACCESSORIES Torino

- Glass casing
- Glass front panel (for insert model)
- Pipes and bend Ø 54mm
- Terminals Ø 54mm
- Outdoor grill for output hot air
- Plenum internal hot air outlet

NOTE: For a complete list of all available accessories, refer to the Price List, Catalogue Technical or www.italkero.it



insert 80

POWER FLUED

- Fireproof ceramic glass
- Internal materials: anthracite, INOX steel
- Convection casing
- Wireless remote control set including
- Customizable with ceramic logs or river pebbles
- 2 sided version available
- Forced, Natural and radiant convection heating
- Fireplace insert TYPE C12
- Intake and exhaust pipes independent and separable with diameter 54mm
- Flue line up to 15mts.
- Efficiency (%): 90,2
- Heat input (kW): 5,6
- Power (kW): 5,05

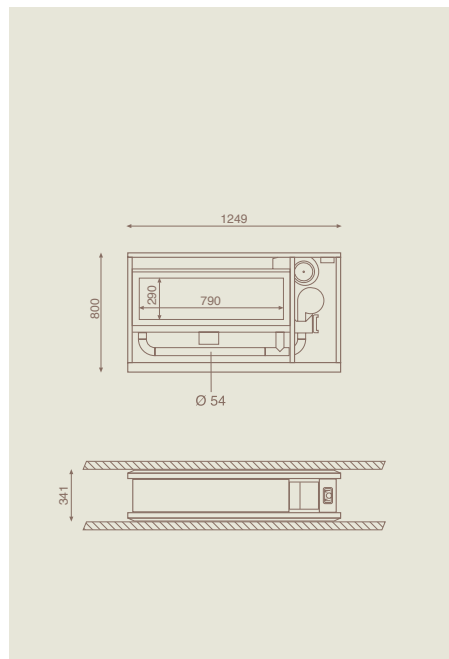
Gas Methane G20 / LPG

- NOx class: 5
- Efficiency class: 1
- Consumption max Methane G20 (m³/h): 0,592
- Consumption max LPG (kg/h): 0,435

ACCESSORIES Milano

- Glass casing
- Structure to support (for insert model)
- Pipes and bend Ø 54mm
- Terminals Ø 54mm
- Outdoor grill for output hot air
- Plenum internal hot air outlet

NOTE: For a complete list of all available accessories, refer to the Price List, Catalogue Technical or www.italkero.it



insert 130

POWER FLUED

- Fireproof ceramic glass
- Internal materials: anthracite, INOX steel
- Convection casing
- Wireless remote control set including
- Small log set or river pebbles including (log set not available)
- 2 sided version available
- Forced, Natural and radiant convection heating
- Fireplace insert TYPE C12
- Intake and exhaust pipes independent and separable with diameter 54mm
- Flue line up to 15mts.
- Efficiency (%): 90,1
- Heat input (kW): 9,0
- Power (kW): 8,11

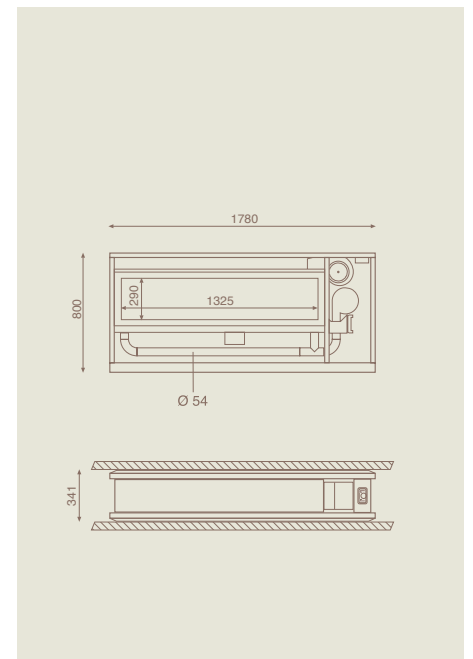
Gas Methane G20 / LPG

- NOx class: 5
- Efficiency class: 1
- Consumption max Methane G20 (m³/h): 0,952
- Consumption max LPG (kg/h): 0,689

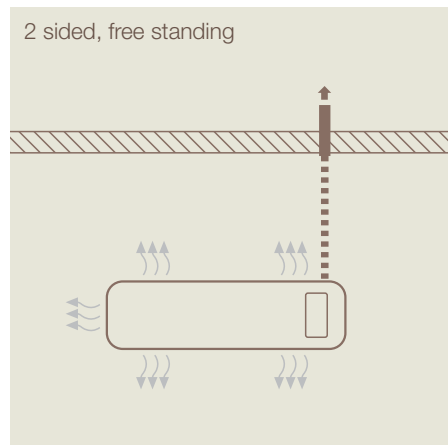
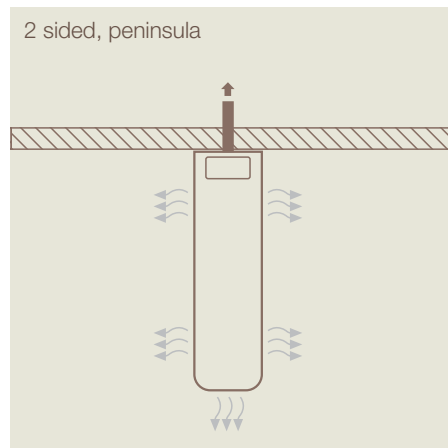
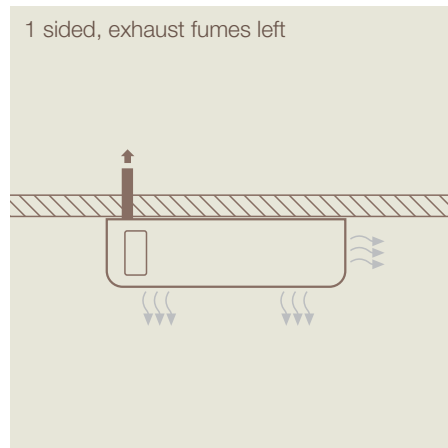
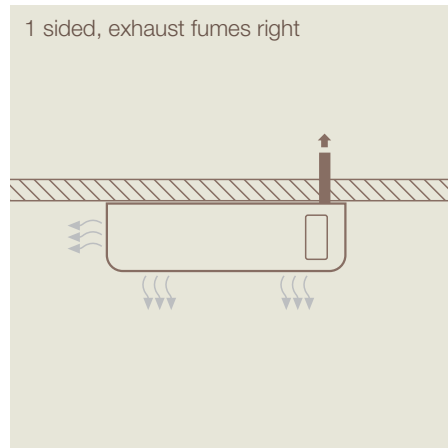
ACCESSORIES Milano

- Glass casing
- Structure to support (for insert model)
- Pipes and bend Ø 54mm
- Terminals Ø 54mm
- Outdoor grill for output hot air
- Plenum internal hot air outlet

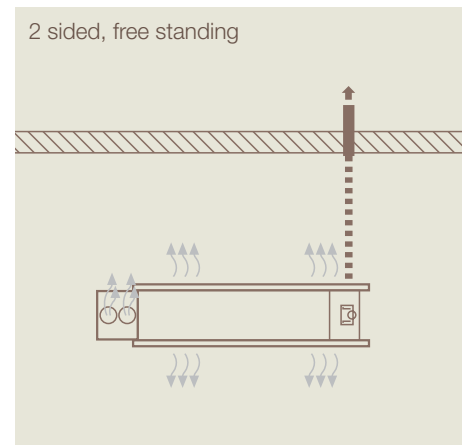
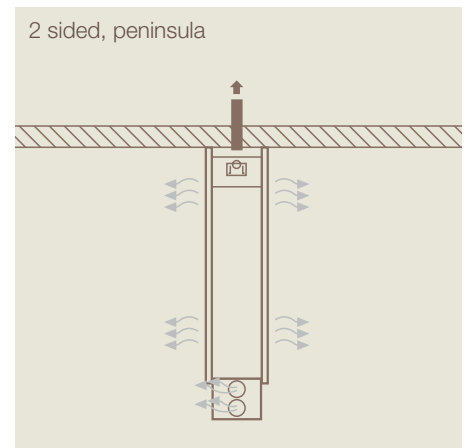
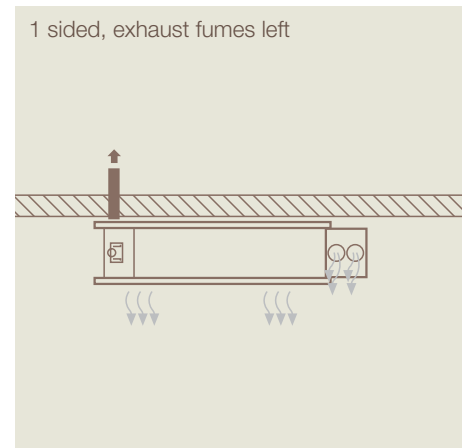
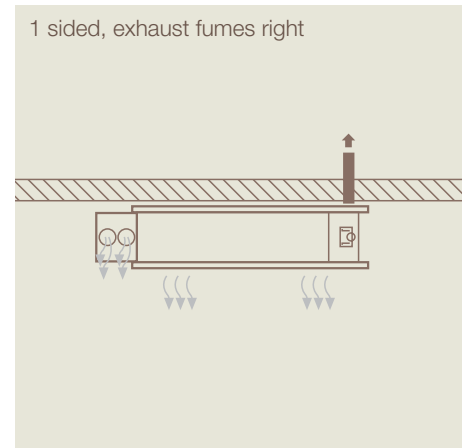
NOTE: For a complete list of all available accessories, refer to the Price List, Catalogue Technical or www.italkero.it



GLASS CASING INSTALLATION



INSERT INSTALLATION



07 Stratos

FORCED DRAFT

Thanks to the heating **flow on the bottom** we avoid any stratification issues.

Design made in Italy to suit any decor.





features



- **Quick and easy installation** thanks to the floor standing option.
- Swinging **easy panel**.
- Optional **wireless** chronothermostat.
- Selection of natural and valuable material.
- **Ecological:** NOx class 5 and Efficiency class 1, the best values.

Model	Stratos 3.0	Stratos 5.0	Stratos 7.0	Stratos 9.0	Wireless
Code	SR30M0 M0000	SR50M0 M0000	SR70M0 M0000	SR90M0 M0000	70000990 00
Dimension W x H x D (mm)	535x585x200	685x585x200	835x585x200	985x585x200	
Heat input max/min (kW)	2,50 / 1,70	4,70 / 3,30	6,80 / 4,80	8,60 / 5,70	
Power max/min (kW)	2,30 / 1,53	4,30 / 2,98	6,28 / 4,37	7,87 / 5,22	
Efficiency (%)	92,6	91,7	92,4	91,5	

NOTE: Flue line up to 15 mts. flue diam. 32 or 54mm, free position

08 Faro

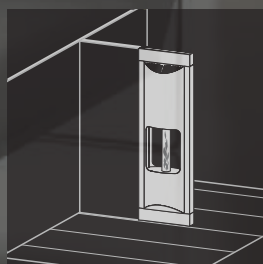
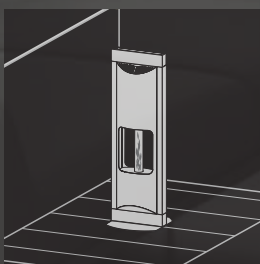
VISIBLE FLAME

Dancing flame inside a cylindrical glass tube.
Easy and quick installation along a wall, in the
middle of the room.

A larger selection of accessories to suite all diffe-
rent requirements are available.



features



- **Quick** and very simple installation.
- **Heating** air flow on the bottom.
- It avoids any stratification trouble and grants a homogeneous warmth distribution.
- **Ecological:** NOx class 4 and Efficiency class 1. Among the best data on the efficiency rating.
- **Easy panel** very small and easy to operate.
- **Wireless** control available.
- **Installing** along a wall or in the centre of a room.

Model	Faro	Wireless
Code	FR70R2 M0000	70000990 00
Dimension W x H x D (mm)	680x2157x312	
Power max/min (kW)	5,9 / 4,3	
Efficiency (%)	91	

NOTE: Flue line up to 15 mts. flue diam. 54mm, free position

09 Fiammella

VISIBLE FLAME

Dancing flame inside a cylindrical glass tube.
Easy and quick installation along a wall or in a corner.
A larger selection of accessories to suite all different requirements are available.



features



- **Quick** and very simple installation.
- It avoids any stratification trouble and grants a homogeneous warmth distribution.
- **Ecological:** NOx class 5 and Efficiency class 1. Among the best data on the efficiency rating.
- **Easy panel** very small and easy to operate.
- **Wireless** control available.
- **Installing** along a wall or a corner side.

Model	Fiammella	Wireless
Code	FM40R2 M0000	70000990 00
Dimension <i>W x H x D (mm)</i>	542x1070x351	
Power <i>max/min (kW)</i>	3,96 / 2,9	
Efficiency <i>(%)</i>	88	

NOTE: Flue line up to 15 mts. flue diam. 54mm, free position





ITALKERO S.r.l. . via Lumumba 2 . Zona Ind. Torrazzi . 41122 Modena . Italy . Tel +39 59 2550711 . FAX +39 059 4900500 . www.italkero.it

NOTE: Due to ongoing product upgrading, aesthetic and dimensional features, technical details, fittings and accessories could undergo changes and are not binding.